

# JCB-RO125

Original Instructions



# GENERAL WARNINGS & DISPOSAL



To reduce the risk of injury, the user must read the instruction manual.



This symbol is used throughout this manual to warn the user about potential risks. Please read & understand these sections before using the device.



Personal Protective Equipment (P.P.E.), such as ear defenders, eye protection, safety gloves and a dust mask, must be worn during the operation of the device.



The device must not be exposed to rain or immersed in water.



Do not allow any part of the device to come into contact with flames, or to catch fire.



This product has been marked with a symbol relating to removing electric and electronic waste. The product should not be discarded with household waste but must be returned to a collection system which conforms to the European Directive 2012/19/EU. It will then be recycled or dismantled in order to reduce the impact on the environment. Electric and electronic equipment can be hazardous for the environment and for human health since they contain hazardous substances.

The month and year of manufacture can be found within the product serial number e.g. MMYPPPAXXXXX. Where production month (MM) and production year (YY) are included.



## Contents

GENERAL POWER TOOL SAFETY WARNINGS	4
1. Work area safety	4
2. Electrical safety	4
3. Personal safety	4
4. Power tool use and care	5
5. Service	5
TOOL SPECIFIC SAFETY WARNINGS	6
Additional Safety Rules For SanderTools	6
COMPONENT LIST	8
TECHNICAL DATA	9
NOISE INFORMATION	9
VIBRATION INFORMATION	10
OPERATING INSTRUCTIONS	11
Intended Use	11
Power Switch	11
Changing a Sanding Sheet	11
Adjusting Speed	11
Dust Suction	11
Vacuum Adaptor	11
Sanding Surfaces	12
Rough Sanding	12
Fine Sanding	12
Orbital Sanding	12
Selecting the Right Grade of Sandpaper	12
Maintenance	13
Transport and Storage	13
WARRANTY STATEMENT	14
Conditions	14
Terms	14
EC DECLARATION OF CONFORMITY	16



# GENERAL POWER TOOL SAFETY WARNINGS

## WARNING!

**Read all safety warnings, instructions and specifications provided with this power tool.** Failure to follow all instructions listed below may result in electric shock, fire and/or serious injury. **Save all warnings and instructions for future reference.**

The term “power tool” in the warnings refers to your mains operated (corded) power tool or battery operated (cordless) power tool.

### 1. Work area safety

- > **Keep work area clean and well lit.**  
Cluttered or dark areas invite accidents.
- > **Do not operate power tools in explosive atmospheres, such as in the presence of flammable liquids, gases or dust.** Power tools create sparks which may ignite the dust or fumes.
- > **Keep children and bystanders away while operating a power tool.** Distractions can cause you to lose control.

### 2. Electrical safety

- > **Power tool plugs must match the outlet. Never modify the plug in any way. Do not use any adapter plugs with earthed (grounded) power tools.** Unmodified plugs and matching outlets will reduce risk of electric shock.
- > **Avoid body contact with earthed or grounded surfaces, such as pipes, radiators, ranges and refrigerators.** There is an increased risk of electric shock if your body is earthed or grounded.
- > **Do not expose power tools to rain or wet conditions.** Water entering a power tool will increase the risk of electric shock.

- > **Do not abuse the cord. Never use the cord for carrying, pulling or unplugging the power tool. Keep the cord away from heat, oil, sharp edges or moving parts.**  
Damaged or entangled cords increase the risk of electric shock.

- > **When operating a power tool outdoors, use an extension cord suitable for outdoor use.** Use of a cord suitable for outdoor use reduces the risk of electric shock.
- > **If operating a power tool in a damp location is unavoidable, use a residual current device (RCD) protected supply.**  
Use of an RCD reduces the risk of electric shock.

### 3. Personal safety

- > **Stay alert, watch what you are doing and use common sense when operating a power tool. Do not use a power tool while you are tired or under the influence of drugs, alcohol or medication.** A moment of inattention while operating power tools may result in serious personal injury.
- > **Use personal protective equipment. Always wear eye protection.** Protective equipment such as a dust mask, non-skid safety shoes, hard hat or hearing protection used for appropriate conditions will reduce personal injuries.
- > **Prevent unintentional starting. Ensure the switch is in the off position before connecting to power source and/or battery pack, picking up or carrying the tool.** Carrying power tools with your finger on the switch or energising power tools that have the switch on invites accidents.

- **Remove any adjusting key or wrench before turning the power tool on.** A wrench or a key left attached to a rotating part of the power tool may result in personal injury.
  - **Do not overreach. Keep proper footing and balance at all times.** This enables better control of the power tool in unexpected situations.
  - **Dress properly. Do not wear loose clothing or jewellery. Keep your hair and clothing away from moving parts.** Loose clothes, jewellery or long hair can be caught in moving parts.
  - **If devices are provided for the connection of dust extraction and collection facilities, ensure these are connected and properly used.** Use of dust collection can reduce dust-related hazards.
  - **Do not let familiarity gained from frequent use of tools allow you to become complacent and ignore tool safety principles.** A careless action can cause severe injury within a fraction of a second.
- 4. Power tool use and care**
- **Do not force the power tool. Use the correct power tool for your application.** The correct power tool will do the job better and safer at the rate for which it was designed.
  - **Do not use the power tool if the switch does not turn it on and off.** Any power tool that cannot be controlled with the switch is dangerous and must be repaired.
  - **Disconnect the plug from the power source and/or remove the battery pack, if detachable, from the power tool before making any adjustments, changing accessories, or storing power tools.** Such preventive safety measures reduce the risk of starting the power tool accidentally.
- **Store idle power tools out of the reach of children and do not allow persons unfamiliar with the power tool or these instructions to operate the power tool.** Power tools are dangerous in the hands of untrained users.
  - **Maintain power tools and accessories. Check for misalignment or binding of moving parts, breakage of parts and any other condition that may affect the power tool's operation. If damaged, have the power tool repaired before use.** Many accidents are caused by poorly maintained power tools.
  - **Keep cutting tools sharp and clean.** Properly maintained cutting tools with sharp cutting edges are less likely to bind and are easier to control.
  - **Use the power tool, accessories and tool bits etc. in accordance with these instructions, taking into account the working conditions and the work to be performed.** Use of the power tool for operations different from those intended could result in a hazardous situation.
  - **Keep handles and grasping surfaces dry, clean and free from oil and grease.** Slippery handles and grasping surfaces do not allow for safe handling and control of the tool in unexpected situations.
- 5. Service**
- **Have your power tool serviced by a qualified repair person using only identical replacement parts.** This will ensure that the safety of the power tool is maintained.



# SANDER TOOL SAFETY WARNINGS

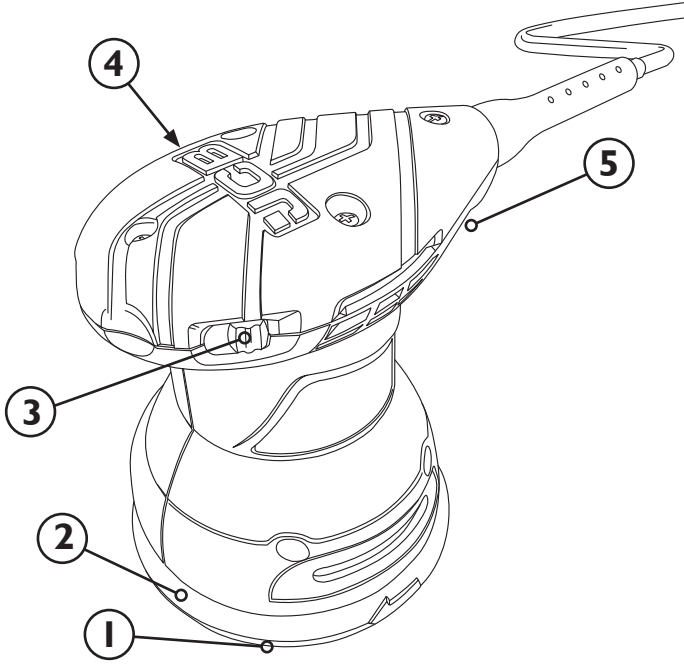
- › **Wear ear protectors.** Exposure to noise can cause hearing loss.
- › **Wear eye protection.** Wear goggles to prevent eyes from exposure to flying particles.
- › **Wear dust mask.** Take protective measures against inhalation of dust. Some materials can contain toxic materials. Also work with dust/ chip extraction when connectable.

## Additional Safety Rules For Sander Tools

- › Proper safety gloves are also recommended.
- › Use the tool for dry sanding only.
- › Use clamps or a vice to secure your work whenever possible.
- › Use perforated hook-and-loop sandpaper with the prescribed dimensions.
- › A sanding sheet that has been used for metal should not be used on other materials.
- › Do not run the machine with any part of the casing missing or damaged.
- › Never switch on the sander under load and place it down only after the head has come to a complete stop.
- › Vibrations can injure the nerves in hands & arms. Keep exposure to vibrations as short as possible. When carrying out work, always ensure that you have a stable standing position.



# COMPONENT LIST



- 1. ABRASIVE SHEET (SANDPAPER)
- 2. SANDING DISC
- 3. ON/ OFF SWITCH (HIDDEN FROM VIEW)
- 4. SPEED ADJUSTMENT WHEEL
- 5. DUST EXTRACTOR





## TECHNICAL DATA

<b>Input Voltage</b>	230-240V~, 50Hz
<b>Power</b>	320W
<b>No Load Speed</b>	7000-14000 rpm
<b>Eccentricity</b>	2.5mm
<b>Sanding Disc Diameter</b>	125mm
<b>Product Weight</b>	1.7kg

## NOISE INFORMATION

<b>A-Weighted Sound Pressure (LpA)</b>	79.00 dB(A)
<b>A-Weighted Sound Power (LwA)</b>	90.00 dB(A)
<b><math>K_{pA}</math> &amp; <math>K_{wA}</math></b>	3.0 dB(A)
<b>Wear ear protection when sound pressure is over 80 dB(A)</b>	



# VIBRATION INFORMATION

## Vibration total values (triax vector sum) determined according to EN 60745

<b>Vibration Emission Value (<math>a_{\text{H}}</math>)</b>	3.385 $\text{ms}^{-2}$
<b>Uncertainty (K)</b>	1.5 $\text{ms}^{-2}$

### **WARNING!**

The vibration emission value of the power tool is tested under EN 62841-1 and EN 62841-2-4, and can vary during operation depending on the following usage conditions:

- How the tool is used and the materials being cut or drilled.
- The tool being in good condition and well maintained.
- Using the correct accessory for the tool and ensuring it is sharp and in good condition.
- The tightness of the grip on the handles and if any anti-vibration accessories are used.
- The tool being used as intended by its design and these instructions.
- The declared vibration total value may also be used in a preliminary assessment of exposure.

**THIS TOOL MAY CAUSE HAND-ARM VIBRATION SYNDROME IF USAGE IS NOT ADEQUATELY MANAGED.**

### **WARNING!**

To be accurate, an estimation of exposure level in the actual conditions of use should also take account of all parts of the operating cycle. These include times when the tool is switched off and when it is running idle but not actually doing work. This may significantly reduce the total exposure level over the working period, helping to minimize your vibration exposure risk.

- ALWAYS use sharp chisels, drills and blades.
- Maintain this tool in accordance with these instructions and keep well lubricated (where appropriate).
- If the tool is to be used regularly then invest in anti-vibration accessories.
- Avoid using tools in temperatures of 10°C or less.
- Plan your work schedule to spread any high vibration tool use across a number of days.

# OPERATING INSTRUCTIONS

## Intended Use

This orbital sander is intended for dry sanding of wood, plastic, metal and filler material as well as painted surfaces.

The tool must not be modified or used for any other purposes than the ones described in these instructions.

### **WARNING!**

Before using the tool on metal surfaces, always remove the dust bag from the outlet. Sparks may ignite the dust or the bag.

## Power Switch

- On: Shift the ON/OFF switch slider to “I” position.
- Off: Shift the ON/OFF switch slider to “O” position.

## Changing A Sanding Sheet

The sanding sheet and sanding pad are provided with a hook and loop attachment system to allow quick and easy changing of sanding and polishing sheets.

### **NOTE**

Ensure the hook and loop surfaces of the tool plate, and chosen sheet are as clean as possible, and free from any large debris prior to mounting the sheet.

To attach a new sheet:

- Align the edge of the disc with the edge of the pad, and ensure the sheet is centered in the plate.
- Apply pressure to the disc, ensuring it is securely fixed across the entire sanding pad.

To remove a disc:

- Lift one corner of the sanding disc and pull off from the sanding pad.

## Adjusting Speed

- Disc speed can be varied by rotating the speed adjustment wheel.
- The wheel allows fine control between minimum (7000rpm) and maximum (14000rpm) speeds.

### **NOTE**

The correct speed for your application will depend on grade, material and pressure applied. Always test new settings on a scrap piece of material if possible.

### **NOTE**

The tool may become hot at low speeds. To aid in cooling the motor, periodically set the speed to a higher value and run the tool with no load.

## Dust Suction

- Efficiency and durability of sandpaper are much improved by dust suction through the apertures in the disc and sandpaper.
- Dust collector bag must be emptied regularly.

## Vacuum Adaptor

- The adaptor ensures coupling to a vacuum cleaner in case of increased dust generation.
- Dismount the collector bag and fasten the tool to a vacuum cleaner.



## Sanding Surfaces

- Place the machine flat on the workpiece, ensuring the entire plate makes even contact.
- Turn on the sander.
- Apply uniform sanding pressure.
- Adjust the tool speed & pressure to suit the work as required.

### NOTE

Less sanding pressure increases the sanding capacity and protects the machine and the sanding paper.

### NOTE

The removal capacity and the sanding pattern are determined mainly by the selection of the Sand paper (grade), the speed of the sanding pad and the application pressure.

## Rough Sanding

- Attach a sand paper with coarse grain.
- Apply only light sanding pressure to achieve increased material removal.

### NOTE

For faster material removal, do not increase pressure on the tool, instead use a coarser sanding sheet.

## Fine Sanding

- Attach a sand paper with fine grain.
- With moderate pressure, move the machine in a circular pattern or alternately in lengthwise and crosswise directions over the workpiece.

### NOTE

Do not tilt the machine during operation. This will apply uneven pressure, and may cause damage to the work piece (e.g. when sanding veneer).

### NOTE

To avoid marring the finished surface, switch off the machine, and only lift it from the workpiece when it has come to a stop.

## Orbital Sanding

- Guide your sander parallel to the working surface and move it in circles or in a cross pattern.
- The speed of the orbital motion of the sanding pad is reduced as applied pressure increases.

## Selecting The Right Grade Of Sandpaper

- Use coarse grits to sand down rough finishes, medium grit to smooth the work and fine grit to finish off.
- The higher the grade number, the finer the grit.
- For rough work start with a low grade or grit. (e.g. 60 grit) and change to a higher, finer grade (e.g. 120 grit) for finishing.
- If you use a fine grade for rough surfaces it will clog and need changing more frequently.

### NOTE

The correct grade for your application will depend on tool speed, material and pressure applied. Always test on a scrap piece of material if possible.

## Maintenance

### **WARNING!**

Switch off the tool and disconnect the power (remove battery/unplug) before cleaning and maintenance. This helps avoid the risk of electric shocks and accidental starting.

- Wipe the tool with a dry or damp cloth.  
**Do not use a wet cloth. Do not use detergent that contains solvent or corrosive, abrasive additives.** This risks damaging the surfaces of the tool.
  - Clear the tool vents and the accessory mount of dust and dirt after each use.  
**Do not clean ventilation holes by inserting sharp objects in them, such as screwdrivers and other similar objects.**
  - Stubborn contamination in areas hard to access can be removed with compressed air (max 3. bar).
  - Regularly check all fasteners, screws and bolts to make sure that they are tight. Tighten any loose screws immediately or serious injury could occur.
  - If the power cord becomes damaged and replacement is necessary, this must be carried out by an authorised warranty agent.
- Store the tool in a dry, frost-free, well ventilated place with a temperature of no more than 40°C.
  - Keep all tools out of the reach of children.
  - Always switch off the tool and disconnect it from the power supply (remove the battery/unplug the power cord) before transport.
  - Always carry the tool using the purpose-designed handle.
  - Ensure that the tool is not at risk of tipping over or exposed to excessive vibration and shocks during transport, especially if the tool will be transported by car or other vehicle.

### **WARNING!**

Never open the tool. The tool has no internal parts that the user can service or repair. Never try to repair the tool yourself. Take to an authorised service centre.

## Transport and Storage

- If the tool will remain unused for any length of time, it should be stored in the original packaging.



# WARRANTY STATEMENT

**JCB Power Tools are guaranteed against manufacturing defects for up to 5 years (extra charges may apply) from date of purchase by simply registering your product online within 30 days. Proof of purchase required. This does not affect your statutory rights.**

**To register your JCB Power Tool, please visit: [jcb-tools.com](http://jcb-tools.com)**

Online registration is required to receive a warranty certificate to activate your standard 3 year warranty. You will be given the option to extend to a 5 Year Warranty (extra charges may apply). Registration is only available online via [www.jcb-tools.com](http://www.jcb-tools.com). You will need your original sales receipt, the model number and the serial number (if applicable) of your product. Kits comprising of two or more tools are excluded from single registration and must be registered individually for full warranty cover.

Upon successful registration, a warranty certificate will be available to download, print or save as a PDF document. The relevant warranty certificate together with the original sales receipt will be required in the event of any claim within the warranty period..

Should you choose not to register your product within 30 days of purchase, your statutory consumer rights will not be affected. You will need the original sales receipt as proof of purchase in the event of a warranty claim.

Warranty cover commences from the date of purchase on the retail sales receipt and is valid only for JCB Tools products purchased within the UK bearing the CE mark and a visible serial number.

In the unlikely event your JCB Power Tool is subject to a manufacturing fault within the warranty period, JCB Tools may repair the product by replacing defective parts free of charge at our discretion. In the event parts are irreplaceable JCB Tools may replace your product free of charge. The original product will remain the property of JCB Tools in this situation.

**The above repair or replacement of products will be undertaken providing that:**

- The product has been subject to fair wear and tear only.
- The product has not been subject to accidental or cosmetic damage.

- The product has not been misused and has been used only in accordance with the instruction manual provided.
- The product has not been subject to overload or insufficient servicing and maintenance.
- The product has not been subject to any abnormal environmental conditions or inappropriate operating conditions.
- Repairs have not been attempted by an unauthorised person and no modifications have been made to the product.
- Repairs have not been undertaken using non-genuine spare parts.

JCB Power Tools used for Hire Fleets or as part of B2B and Service Contracts are not covered by these terms and conditions.

**JCB Tools standard 3 Year and extended 5 Year Warranties excludes the following (where relevant):**

- Components normally subject to wear such as carbon brushes.
- Batteries, Chucks and Chargers.
- Accessories and consumable items.
- Cases and tool storage products.

If your product develops a fault within 30 days of purchase, return it to the retailer where it was purchased together with your sales receipt. If a product develops a fault after 30 days a warranty claim must be submitted.

If you have a warranty claim please take your product, original sales receipt and if applicable, a copy of your extended warranty certificate to your place of purchase or nearest JCB Tools retailer.

If you wish to send your product to us directly, please call us on 03308380257 to arrange warranty claim or repair. Delivery and repair charges may apply at our discretion should the warranty claim be invalid for any of the reasons illustrated above. In the event charges are not accepted the product will be retained by JCB Tools and remain the property of JCB Tools.

The information on both your sales receipt and your extended warranty certificate must match.

JCB TOOLS WILL NOT BE LIABLE FOR ANY INJURIES OR CONSEQUENTIAL DAMAGES RESULTING FROM USE OF THIS PRODUCT.



# EC DECLARATION OF CONFORMITY

**We,**  
JCB Tools

**Declare that the product:**

*Description*  
Orbital Sander  
*Type*  
JCB-RO125  
*Function*  
Dry Sanding

**Complies with the following Directives;**

EC Machinery Directive  
**2006/42/EC**

EC Electromagnetic Compatibility Directive  
**2014/30/EU**

RoHS Directive  
**2011/65/EU**

Standards conform to  
**EN 55014-1:2017**

**EN 55014-2:2015**

**EN 61000-3-2:2014**

**EN 61000-3-3:2013**

**EN 62841-1:2015+AC:2015**

**EN 62841-2-4:2014**

**The person authorized to compile the technical file:**

Date: 20/09/2018

Signature:

Name/ title: Mya Yee Lwin / Quality Assurance Manager

Address: JCB Tools, 55 Romsey Industrial Estate, Romsey, SO51 0HR, UK.

Company REG: 11062222





