

JCB-JS800

Original Instructions

GENERAL WARNINGS & DISPOSAL



To reduce the risk of injury, the user must read the instruction manual.



This symbol is used throughout this manual to warn the user about potential risks. Please read & understand these sections before using the device.



Personal Protective Equipment (P.P.E.), such as ear defenders, eye protection, safety gloves and a dust mask, must be worn during the operation of the device.



The device must not be exposed to rain or immersed in water.



Do not allow any part of the device to come into contact with flames, or to catch fire.



This product has been marked with a symbol relating to removing electric and electronic waste. The product should not be discarded with household waste but must be returned to a collection system which conforms to the European Directive 2012/19/EU. It will then be recycled or dismantled in order to reduce the impact on the environment. Electric and electronic equipment can be hazardous for the environment and for human health since they contain hazardous substances.

The month and year of manufacture can be found within the product serial number e.g. MMYPPPAXXXXX. Where production month (MM) and production year (YY) are included.

Contents

GENERAL POWER TOOL SAFETY WARNINGS	4
1. Work area safety	4
2. Electrical safety	4
3. Personal safety	4
4. Power tool use and care	5
5. Service	5
TOOL SPECIFIC SAFETY WARNINGS	6
Additional Safety Rules For Saw Tools	6
COMPONENT LIST	8
TECHNICAL DATA	9
NOISE INFORMATION	9
VIBRATION INFORMATION	10
OPERATING INSTRUCTIONS	11
Intended Use	11
Inserting Saw Blade	11
Power Switch	11
Startup	11
Stroke Rate Selection	12
Mitre Cutting	12
Adjusting the Pendulum Stroke	12
Dust Removal	13
Dust Collection	13
Parallel Stop	13
Maintenance	13
Transport and Storage	14
WARRANTY STATEMENT	16
EC DECLARATION OF CONFORMITY	18



GENERAL POWER TOOL SAFETY WARNINGS

WARNING!

Read all safety warnings, instructions and specifications provided with this power tool. Failure to follow all instructions listed below may result in electric shock, fire and/or serious injury. **Save all warnings and instructions for future reference.**

The term “power tool” in the warnings refers to your mains operated (corded) power tool or battery operated (cordless) power tool.

1. Work area safety

> **Keep work area clean and well lit.**

Cluttered or dark areas invite accidents.

> **Do not operate power tools in explosive atmospheres, such as in the presence of flammable liquids, gases or dust.** Power tools create sparks which may ignite the dust or fumes.

> **Keep children and bystanders away while operating a power tool.** Distractions can cause you to lose control.

2. Electrical safety

> **Power tool plugs must match the outlet. Never modify the plug in any way. Do not use any adapter plugs with earthed (grounded) power tools.** Unmodified plugs and matching outlets will reduce risk of electric shock.

> **Avoid body contact with earthed or grounded surfaces, such as pipes, radiators, ranges and refrigerators.** There is an increased risk of electric shock if your body is earthed or grounded.

> **Do not expose power tools to rain or wet conditions.** Water entering a power tool will increase the risk of electric shock.

> **Do not abuse the cord. Never use the cord for carrying, pulling or unplugging the power tool. Keep the cord away from heat, oil, sharp edges or moving parts.**

Damaged or entangled cords increase the risk of electric shock.

> **When operating a power tool outdoors, use an extension cord suitable for outdoor use.** Use of a cord suitable for outdoor use reduces the risk of electric shock.

> **If operating a power tool in a damp location is unavoidable, use a residual current device (RCD) protected supply.** Use of an RCD reduces the risk of electric shock.

3. Personal safety

> **Stay alert, watch what you are doing and use common sense when operating a power tool. Do not use a power tool while you are tired or under the influence of drugs, alcohol or medication.** A moment of inattention while operating power tools may result in serious personal injury.

> **Use personal protective equipment. Always wear eye protection.** Protective equipment such as a dust mask, non-skid safety shoes, hard hat or hearing protection used for appropriate conditions will reduce personal injuries.

> **Prevent unintentional starting. Ensure the switch is in the off position before connecting to power source and/or battery pack, picking up or carrying the tool.** Carrying power tools with your finger on the switch or energising power tools that have the switch on invites accidents.

- **Remove any adjusting key or wrench before turning the power tool on.** A wrench or a key left attached to a rotating part of the power tool may result in personal injury.
 - **Do not overreach. Keep proper footing and balance at all times.** This enables better control of the power tool in unexpected situations.
 - **Dress properly. Do not wear loose clothing or jewellery. Keep your hair and clothing away from moving parts.** Loose clothes, jewellery or long hair can be caught in moving parts.
 - **If devices are provided for the connection of dust extraction and collection facilities, ensure these are connected and properly used.** Use of dust collection can reduce dust-related hazards.
 - **Do not let familiarity gained from frequent use of tools allow you to become complacent and ignore tool safety principles.** A careless action can cause severe injury within a fraction of a second.
- 4. Power tool use and care**
- **Do not force the power tool. Use the correct power tool for your application.** The correct power tool will do the job better and safer at the rate for which it was designed.
 - **Do not use the power tool if the switch does not turn it on and off.** Any power tool that cannot be controlled with the switch is dangerous and must be repaired.
 - **Disconnect the plug from the power source and/or remove the battery pack, if detachable, from the power tool before making any adjustments, changing accessories, or storing power tools.** Such preventive safety measures reduce the risk of starting the power tool accidentally.
- **Store idle power tools out of the reach of children and do not allow persons unfamiliar with the power tool or these instructions to operate the power tool.** Power tools are dangerous in the hands of untrained users.
 - **Maintain power tools and accessories. Check for misalignment or binding of moving parts, breakage of parts and any other condition that may affect the power tool's operation. If damaged, have the power tool repaired before use.** Many accidents are caused by poorly maintained power tools.
 - **Keep cutting tools sharp and clean.** Properly maintained cutting tools with sharp cutting edges are less likely to bind and are easier to control.
 - **Use the power tool, accessories and tool bits etc. in accordance with these instructions, taking into account the working conditions and the work to be performed.** Use of the power tool for operations different from those intended could result in a hazardous situation.
 - **Keep handles and grasping surfaces dry, clean and free from oil and grease.** Slippery handles and grasping surfaces do not allow for safe handling and control of the tool in unexpected situations.
- 5. Service**
- **Have your power tool serviced by a qualified repair person using only identical replacement parts.** This will ensure that the safety of the power tool is maintained.



TOOL SPECIFIC SAFETY WARNINGS

I. Safety instructions for all operations

- **Wear ear protectors.** Exposure to noise can cause hearing loss.
- **Wear eye protection.** Wear goggles to prevent eyes from exposure to flying particles.
- **Wear dust mask.** Take protective measures against inhalation of dust. Some materials can contain toxic materials. Also work with dust/ chip extraction when connectable.
- **Hold the power tool by insulated gripping surfaces, when performing an operation where the cutting accessory or fasteners may contact hidden wiring.** Cutting accessory contacting a “live” wire may make exposed metal parts of the power tool “live” and could give the operator an electric shock.
- **Use clamps or another practical way to secure and support the workpiece to a stable platform.** Holding the workpiece by hand or against your body leaves it unstable and may lead to loss of control.

- Vibrations can injure the nerves in hands & arms. Keep exposure to vibrations as short as possible. When carrying out work, always ensure that you have a stable standing position.

Special Safety Considerations

Causes and operator prevention of kickback:

- Kickback is a sudden reaction to a pinched, bound or misaligned saw blade, causing an uncontrolled saw to lift up and out of the workpiece toward the operator.
- When the blade is pinched or bound tightly by the kerf closing down, the blade stalls and the motor reaction drives the unit rapidly back toward the operator.
- If the blade becomes twisted or misaligned in the cut, the teeth at the back edge of the blade can dig into the top surface of the wood causing the blade to climb out of the kerf and jump back toward the operator.

Kickback is the result of saw misuse and/or incorrect operating procedures or conditions and can be avoided by taking proper precautions as given below:

- **Maintain a firm grip with both hands on the saw and position your arms to resist kickback forces. Position your body to either side of the blade, but not in line with the blade.** Kick back could cause the saw to jump backwards, but kickback forces can be controlled by the operator, if proper precautions are taken.

Additional Safety Rules For Saw Tools

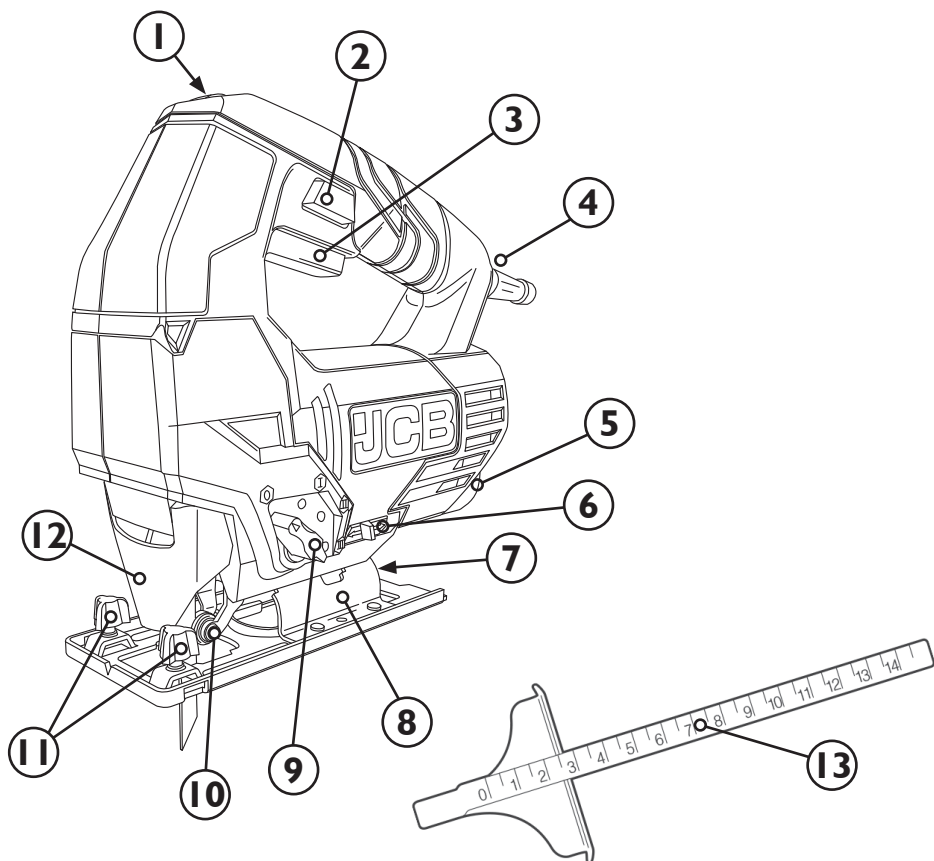
- Proper safety gloves are also recommended.
- Use clamps or a vice to secure your work whenever possible.
- Do not run the machine with any part of the casing missing or damaged.

- **When blade is binding, or when interrupting a cut for any reason, release the trigger and hold the saw motionless in the material until the blade comes to a complete stop. Never attempt to remove the saw from the work or pull the saw backward while the blade is in motion or kickback may occur.** Investigate and take corrective actions to eliminate the cause of blade binding.
- **When restarting a saw in the workpiece, centre the saw blade in the kerf and check that saw teeth are not engaged into the material.** If saw blade is binding, it may walk up or kickback from the workpiece as the saw is restarted.
- **Support large panels to minimize the risk of blade pinching and kickback.** Large panels tend to sag under their own weight. Supports must be placed under the panel on both sides, near the line of cut and near the edge of the panel.
- **Do not use dull or damaged blades.** Unsharpened or improperly set blades produce narrow kerf causing excessive friction, blade binding and kickback.
- **Blade depth and bevel adjusting locking levers must be tight and secure before making cut.** If blade adjustment shifts while cutting, it may cause binding and kickback.
- **Use extra caution when making a “plunge cut” into existing walls or other blind areas.** The protruding blade may cut objects that can cause kickback.
- **Hold the power tool by insulated gripping surfaces, when performing an operation where the cutting accessory may contact hidden wiring or its own cord.** Cutting accessory contacting a “live” wire may make exposed metal parts of the power tool “live” and could give the operator an electric shock.
- **Use clamps or another practical way to secure and support the workpiece to a stable platform.** Holding the workpiece by hand or against your body leaves it unstable and may lead to loss of control.

<p>NOTE</p>
<p>The above warning is not applicable for garden saws for tree or hedge services.</p>



COMPONENT LIST



- | | |
|---|--|
| <ul style="list-style-type: none"> 1. STROKE RATE SELECTION DIAL 2. SWITCH LOCK 3. ON/OFF SWITCH 4. ALLEN KEY (NOT SHOWN) 5. DUST NOZZLE 6. SWITCH FOR DUST REMOVAL 7. BASE PLATE LOCKING LEVER 8. BASE PLATE 9. PENDULUM STROKE ADJUSTING LEVER | <ul style="list-style-type: none"> 10. BLADE GUIDE ROLLER 11. FASTENING SCREWS FOR THE PARALLEL STOP 12. BLADE GUARD 13. PARALLEL STOP |
|---|--|

TECHNICAL DATA

Input Voltage		230-240V, 50Hz
Power		800W
No Load Speed		0 - 3000 rpm
Stroke Length		20 mm
Saw Positions		4
Saw Angles		0°/ 15°/ 30°/ 45°
Saw Blade Fixture		T
Cutting Capacity	Wood	100 mm
	Steel	10 mm
Product Weight		2.4 kg

NOISE INFORMATION

A-Weighted Sound Pressure (LpA)	89.89 dB(A)
A-Weighted Sound Power (LwA)	100.89 dB(A)
K_{pA} & K_{wA}	3.0 dB(A)
Wear ear protection when sound pressure is over 80 dB(A)	



VIBRATION INFORMATION

Vibration total values (triax vector sum) determined according to EN 62841-1 and EN 62841-2-11

Sawing into Wood	Vibration Emission Value (a_h)	6.742 ms ⁻²
	Uncertainty (K)	1.5 ms ⁻²
Sawing into Metal	Vibration Emission Value (a_h)	4.760 ms ⁻²
	Uncertainty (K)	1.5 ms ⁻²

WARNING!

The vibration emission value of the power tool is tested under EN 62841-1 and EN 62841-2-11, and can vary during operation depending on the following usage conditions:

- How the tool is used and the materials being cut or drilled.
- The tool being in good condition and well maintained.
- Using the correct accessory for the tool and ensuring it is sharp and in good condition.
- The tightness of the grip on the handles and if any anti-vibration accessories are used.
- The tool being used as intended by its design and these instructions.
- The declared vibration total value may also be used in a preliminary assessment of exposure.

THIS TOOL MAY CAUSE HAND-ARM VIBRATION SYNDROME IF USAGE IS NOT ADEQUATELY MANAGED.

WARNING!

To be accurate, an estimation of exposure level in the actual conditions of use should also take account of all parts of the operating cycle. These include times when the tool is switched off and when it is running idle but not actually doing work. This may significantly reduce the total exposure level over the working period, helping to minimize your vibration exposure risk.

- ALWAYS use sharp chisels, drills and blades.
- Maintain this tool in accordance with these instructions and keep well lubricated (where appropriate).
- If the tool is to be used regularly then invest in anti-vibration accessories.
- Avoid using tools in temperatures of 10°C or less.
- Plan your work schedule to spread any high vibration tool use across a number of days.

OPERATING INSTRUCTIONS

Intended Use

This jig saw is intended for cutting and sawing of wood, metal, plastic and other similar materials.

The tool must not be modified or used for any other purposes than the ones described in these instructions.

Inserting a Saw Blade

WARNING!

Prior to any assembly and adjustment always unplug the tool.

NOTE

Only use T-Shank type jig saw blades.

- Lift the transparent blade cover up and hold it.
- Pull the lever of the blade clamp and slide the saw blade into the groove as far as it will go with the blade teeth pointing forward. Make sure that the lug of the blade is fitted into the blade clamp, then release the blade clamp lever.
- Check the blade is held firmly.
- Lower the transparent blade cover to its initial position.

WARNING!

After a cut the saw blade can be very hot. Be careful when removing the saw blade. Wear appropriate safety gloves.

Power Switch

WARNING!

Before engaging the ON/OFF switch, check that the saw blade is properly fitted.

- Connect the plug to the power supply. The power-on indicator light will remain lit until the tool is disconnected from the power supply
- To switch on the jig saw, press the ON/ OFF switch. The switch can be set to continuous mode by pressing the switch lock.
- When you release the ON/ OFF switch the tool turns off.

Startup

NOTE

The voltage of the power source must match the rating label on the tool.

- Before switching on the jig saw the front of the base plate must lie flat on the work piece.
- Always hold the jig saw firmly with both hands. Make sure that the saw blade is not in contact with the work piece before the jig saw is turned on.
- Allow the blade to come to a full stop before removing it from the cut.



Stroke Rate Selection Dial

- > The maximum stroke rate of the blade can be adjusted using the dial, from 1 (slow) to 6 (fast).
- > The required stroke rate of the saw blade is dependant on the material and the saw blade used and should be determined by practical tests. The following table can be used as a guide to help with initial settings.

Material	Stroke Rate
Wood	5 - 6
Soft Steel	3 - 6
Stainless Steel	3 - 4
Aluminium	3 - 6
Plastic	1 - 4

NOTE

Do not let the jig saw run continuously at the lowest speed. The motor can overheat.

Mitre Cutting

- > For mitre sawing and flush-edge sawing the base plate can be angled toward either side in fixed steps (0°, 15°, 30° and 45°).



WARNING!

Only set the mitre angle when the tool is stopped and the blade has stopped moving. Otherwise the tool can be damaged.

- > Open the base plate locking lever.
- > Tilt the saw shoe to the required position.
- > Close the base plate locking lever to lock the base plate into position.

Adjusting the Pendulum Stroke

- > Pendulum stroke is adjusted using the stroke adjustment lever. The pendulum stroke moves the saw blade in a horizontal, pendulum motion.
- > At level 0, the jig saw works in linear stroke and at levels 1-3 in pendulum stroke. At level 3 the pendulum motion is at its greatest.
- > To facilitate the removal of swarf from the blade during cutting, the saw is pushed backwards in the downward stroke. This increases the cutting speed in the longitudinal sections and less force is therefore needed when cutting.
- > Using pendulum stroke increases the service life of blades.
- > Correctly adjusting the pendulum stroke improves the operation of the jig saw. The blade is protected, the ejection of swarf is improved and frictional heat is greatly reduced.

NOTE

The pendulum stroke can be adjusted while the jig saw is running.

Lever Position: 0 - Linear Stroke

- > For cutting soft steel, stainless steel, plastic and HDF boards.
- > For precise sawing of all materials for straight and curved cuts.
- > For clean cuts into wood and plywood.
- > For sawing of splinter-susceptible materials.

Lever Position I - Small Pendulum

Material:

- > For cutting soft steel, aluminium and hardwood.

Lever Position 2 - Medium Pendulum

Material:

- For cutting wood and plywood.

Lever Position 3 - Large Pendulum

- For fast cutting wood and plywood.
- Only for cutting in straight cuts.

NOTE

When using pendulum strokes, cutting edges may splinter more than when working with linear strokes. Brittle coatings on soft substrates - e.g. laminated board are particularly prone to this occurring.

Dust Removal

The jig saw is equipped with a dust blower function.

- Set the dust removal switch to II to open the blower outlet. Dust is then blown away from the blade automatically, improving visibility of the cut.
- Set the switch to I to close the outlet. When connecting an extractor to the dust nozzle (see next chapter), set the switch to the I position.

Dust Collection

- The jig saw can produce a lot of dust. By connecting the machine to a suitable extractor, this can be significantly reduced.

NOTE

Dust extraction is not possible on mitre cuts.

- Slide the nozzle all the way into the opening until the snap-in nose visibly and audibly locks into place.

- Connect the dust nozzle to a suitable extractor or vacuum cleaner.



WARNING!

Wood dust can be particularly hazardous. It is recommended to use additional dust protection masks when cutting these materials.

Parallel Stop

To cut parallel to a material edge you can use the included parallel stop. In order to fix the parallel stop:

- Loosen the 2 fastening screws.
- Insert the stop into the foot.
- Using the centimetre scale on the parallel stop, adjust the distance between the stop bar and the saw blade.
- Secure the parallel stop by tightening the fastening screws.

NOTE

When not using the parallel stop, tighten the fastening screws securely. Vibration during normal use can cause them to work loose.

Maintenance



WARNING!

Switch off the tool and disconnect the power (remove battery/unplug) before cleaning and maintenance. This helps avoid the risk of electric shocks and accidental starting.

- Wipe the tool with a dry or damp cloth.
Do not use a wet cloth. Do not use detergent that contains solvent or corrosive, abrasive additives. This risks damaging the surfaces of the tool.



- › Clear the tool vents and the accessory mount of dust and dirt after each use.
Do not clean ventilation holes by inserting sharp objects in them, such as screwdrivers and other similar objects.
- › Stubborn contamination in areas hard to access can be removed with compressed air (max. 3 bar).
- › Regularly check all fasteners, screws and bolts to make sure that they are tight. Tighten any loose screws immediately or serious injury could occur.
- › If the power cord becomes damaged and replacement is necessary, this must be carried out by an authorised warranty agent.
- › Ensure that the tool is not at risk of tipping over or exposed to excessive vibration and shocks during transport, especially if the tool will be transported by car or other vehicle.

WARNING!

Never open the tool. The tool has no internal parts that the user can service or repair. Never try to repair the tool yourself. Take to an authorised service centre.

Transport and Storage

- › If the tool will remain unused for any length of time, it should be stored in the original packaging.
- › Store the tool in a dry, frost-free, well ventilated place with a temperature of no more than 40°C.
- › Keep all tools out of the reach of children.
- › Always switch off the tool and disconnect it from the power supply (remove the battery/unplug the power cord) before transport.
- › Always carry the tool using the purpose-designed handle.



WARRANTY STATEMENT

JCB Power Tools are guaranteed against manufacturing defects for up to 5 years (extra charges may apply) from date of purchase by simply registering your product online within 30 days. Proof of purchase required. This does not affect your statutory rights.

To register your JCB Power Tool, please visit: jcb-tools.com

Online registration is required to receive a warranty certificate to activate your standard 3 year warranty. You will be given the option to extend to a 5 Year Warranty (extra charges may apply). Registration is only available online via www.jcb-tools.com. You will need your original sales receipt, the model number and the serial number (if applicable) of your product. Kits comprising of two or more tools are excluded from single registration and must be registered individually for full warranty cover.

Upon successful registration, a warranty certificate will be available to download, print or save as a PDF document. The relevant warranty certificate together with the original sales receipt will be required in the event of any claim within the warranty period..

Should you choose not to register your product within 30 days of purchase, your statutory consumer rights will not be affected. You will need the original sales receipt as proof of purchase in the event of a warranty claim.

Warranty cover commences from the date of purchase on the retail sales receipt and is valid only for JCB Tools products purchased within the UK bearing the CE mark and a visible serial number.

In the unlikely event your JCB Power Tool is subject to a manufacturing fault within the warranty period, JCB Tools may repair the product by replacing defective parts free of charge at our discretion. In the event parts are irreplaceable JCB Tools may replace your product free of charge. The original product will remain the property of JCB Tools in this situation.

The above repair or replacement of products will be undertaken providing that:

- The product has been subject to fair wear and tear only.
- The product has not been subject to accidental or cosmetic damage.

- The product has not been misused and has been used only in accordance with the instruction manual provided.
- The product has not been subject to overload or insufficient servicing and maintenance.
- The product has not been subject to any abnormal environmental conditions or inappropriate operating conditions.
- Repairs have not been attempted by an unauthorised person and no modifications have been made to the product.
- Repairs have not been undertaken using non-genuine spare parts.

JCB Power Tools used for Hire Fleets or as part of B2B and Service Contracts are not covered by these terms and conditions.

JCB Tools standard 3 Year and extended 5 Year Warranties excludes the following (where relevant):

- Components normally subject to wear such as carbon brushes.
- Batteries, Chucks and Chargers.
- Accessories and consumable items.
- Cases and tool storage products.

If your product develops a fault within 30 days of purchase, return it to the retailer where it was purchased together with your sales receipt. If a product develops a fault after 30 days a warranty claim must be submitted.

If you have a warranty claim please take your product, original sales receipt and if applicable, a copy of your extended warranty certificate to your place of purchase or nearest JCB Tools retailer.

If you wish to send your product to us directly, please call us on 03308380257 to arrange warranty claim or repair. Delivery and repair charges may apply at our discretion should the warranty claim be invalid for any of the reasons illustrated above. In the event charges are not accepted the product will be retained by JCB Tools and remain the property of JCB Tools.

The information on both your sales receipt and your extended warranty certificate must match.

JCB TOOLS WILL NOT BE LIABLE FOR ANY INJURIES OR CONSEQUENTIAL DAMAGES RESULTING FROM USE OF THIS PRODUCT.



EC DECLARATION OF CONFORMITY

We,
JCB Tools

Declare that the product:

Description

Jig Saw

Type

JCB-JS800

Function

Cutting and Sawing

Complies with the following Directives;

EC Machinery Directive

2006/42/EC

EC Electromagnetic Compatibility Directive

2014/30/EU

RoHS Directive

2011/65/EU

Standards conform to

EN 55014-1:2017

EN 55014-2:2015

EN 61000-3-2:2014

EN 61000-3-3:2013

EN 62841-1:2015

EN 62841-2-11:2016

The person authorized to compile the technical file:

Date: 20/09/2018

Signature:



Name/ title: Mya Yee Lwin / Quality Assurance Manager

Address: JCB Tools, 55 Romsey Industrial Estate, Romsey, SO51 0HR, UK.

Company REG: 11062222

