

JCB-20LI
JCB-30LI
JCB-40LI
JCB-50LI

Original Instructions

GENERAL WARNINGS & DISPOSAL



To reduce the risk of injury, the user must read the instruction manual.



This symbol is used throughout this manual to warn the user about potential risks. Please read & understand these sections before using the device.



The device must not be exposed to rain or immersed in water.



Do not allow any part of the device to come into contact with flames, or to catch fire.



Do not expose battery pack or tool to fire or excessive temperatures above 130°C.



Do not dispose of batteries in household waste. Return exhausted batteries to a local collection or recycling point.

Li



This product has been marked with a symbol relating to removing electric and electronic waste. The product should not be discarded with household waste but must be returned to a collection system which conforms to the European Directive 2012/19/EU. It will then be recycled or dismantled in order to reduce the impact on the environment. Electric and electronic equipment can be hazardous for the environment and for human health since they contain hazardous substances.

The month and year of manufacture can be found within the product serial number e.g. MMYYPXXXXXXX. Where production month (MM) and production year (YY) are included.



Contents

BATTERY SAFETY	4
COMPONENT LIST	5
BATTERY TECHNICAL DATA	5
OPERATING INSTRUCTIONS	6
Intended Use	6
Battery	6
Maintenance	7
Transport and Storage	7



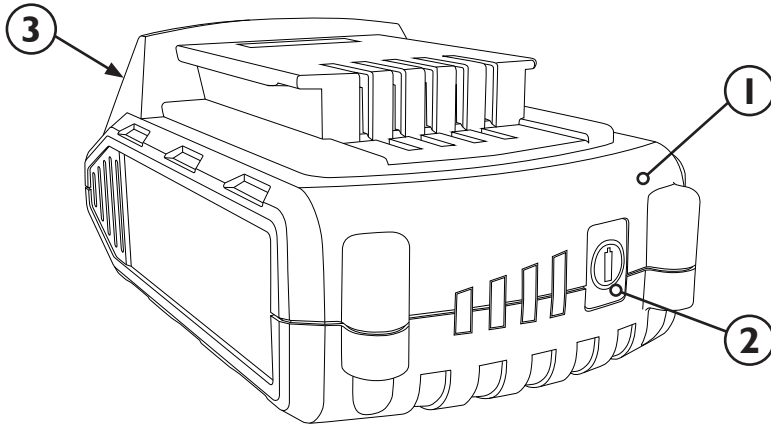
BATTERY SAFETY

WARNING!

Read all safety warnings, instructions and specifications provided with this battery. Failure to follow all instructions listed below may result in electric shock, fire and/or serious injury. **Save all warnings and instructions for future reference.**

- > **Recharge only with the charger specified by the manufacturer.** A charger that is suitable for one type of battery pack may create a risk of fire when used with another battery pack.
- > **Use power tools only with specifically designated battery packs.** Use of any other battery packs may create a risk of injury and fire.
- > **When battery pack is not in use, keep it away from other metal objects, like paper clips, coins, keys, nails, screws or other small metal objects, that can make a connection from one terminal to another.** Shorting the battery terminals together may cause burns or a fire.
- > **Under abusive conditions, liquid may be ejected from the battery; avoid contact. If contact accidentally occurs, flush with water. If liquid contacts eyes, additionally seek medical help.** Liquid ejected from the battery may cause irritation or burns.
- > **Do not use a battery pack or tool that is damaged or modified.** Damaged or modified batteries may exhibit unpredictable behaviour resulting in fire, explosion or risk of injury.
- > **Do not expose battery pack or tool to fire or excessive temperature.** Exposure to fire or temperatures above 130°C may cause explosion.
- > **Follow all charging instructions and do not charge the battery pack or tool outside the temperature range specified in the instructions.** Charging improperly or at temperatures outside the specified range may damage the battery and increase the risk of fire.
- > **Have your power tool serviced by a qualified repair person using only identical replacement parts.** This will ensure the safety of the power tool is maintained.
- > **Never service damaged battery packs.** Service of battery packs should only be performed by the manufacturer or authorised service providers.

COMPONENT LIST



Battery size shown for illustrative purposes only

1. BATTERY PACK - PLEASE REFER TO TABLE BELOW FOR BATTERY INFORMATION
2. BATTERY TEST BUTTON AND CHARGE INDICATOR
3. BATTERY RELEASE BUTTON

LITHIUM ION BATTERY TECHNICAL DATA

Battery Code	Battery Size	Voltage	Battery Capacity	Charge Time (Fast Charger: JCB-18VFC)	Charge Time (Super Fast Charger: JCB-18SFC)
JCB-20LI	Small	18V	2.0Ah	50 mins	30 mins
JCB-30LI	Large	18V	3.0Ah	80 mins	45 mins
JCB-40LI	Large	18V	4.0Ah	100 mins	60 mins
JCB-50LI	Large	18V	5.0Ah	120 mins	75 mins

Times given as a guide only. Battery charge and discharge times dependant on age, usage and condition.



OPERATING INSTRUCTIONS

Intended Use

This lithium-ion battery pack is intended for use only with a compatible JCB 18V power tool & charger.

The component must not be modified or used for any other purposes than the ones described in these instructions.

Battery

NOTE

Make sure the power switch is not pressed in when inserting or replacing the battery.

- **Do not force the battery when connecting it, use moderate pressure.** An incorrectly connected battery can damage the battery terminals or the battery socket on the tool.
- Use the button on the battery to check the charging status; 4 red LEDs indicates fully charged, where 1 indicates low battery status.

Charging The Battery

WARNING!

After charging for the first time, ensure the battery is completely discharged before placing on charge again. Repeat this charging and discharging cycle 4 to 5 times to ensure battery is correctly conditioned.

- Place the battery charger on a level and stable surface. Plug the charger into a 230 V power point.
- Connect the battery to the charger so that it clicks into place.

- Refer to the Battery Charge Level table below for battery charger status as indicated by LED lights.
- Unplug the charger from the power point and remove the battery from the charger.

Battery Charge Level

Red LED	Green LED	Battery Charge Status
		Charger is connected to mains power
		Connected battery is charging
		Connected battery is fully charged
		Connected battery has a charging fault
		Charger is outside correct operating temperature range (<0°C / >40°C)

If the LEDs on the charger do not come on when charging:

- Check that the charger's mains adaptor is properly plugged into the power point and that the charger is switched on
- Check that the battery is correctly inserted in the charger

Connecting the battery

- Connect the battery to the battery socket on the tool so that it clicks into place.

Removing the battery

- Press the battery release button and remove the battery from the tool.

Maintenance

WARNING!

Remove the battery pack from the tool or charger before cleaning and maintenance. This helps avoid the risk of electric shocks and accidental injury.

- Wipe the battery pack with a dry or damp cloth. **Do not use a wet cloth. Do not use detergent that contains solvent or corrosive, abrasive additives.** This risks damaging the surfaces of the battery pack.
- Clear the battery connection terminals and the release button of dust and dirt after each use. **Do not clean terminals by inserting sharp objects in them, such as screwdrivers and other similar objects.**
- Stubborn contamination in areas hard to access can be removed with compressed air (max 3. bar).
- Regularly check all fasteners, screws and bolts to make sure that they are tight. Tighten any loose screws immediately or serious injury could occur.

WARNING!

Never open the battery pack. The battery pack has no internal parts that the user can service or repair. Never try to repair the battery pack yourself. Take to an authorised service centre.

Transport and Storage

- If the battery pack will remain unused for any length of time, it should be stored in the original packaging, or in a compatible JCB power tool storage insert.

- Store the battery pack in a dry, frost-free, well ventilated place with a temperature of no more than 40°C.
- Keep all battery packs out of the reach of children.
- Always remove the battery from any tools before transport.
- Ensure that the battery pack is not at risk of being exposed to excessive vibration and shocks during transport, especially if the battery pack will be transported by car or other vehicle.

