

# JCB-18CS

Original Instructions

# GENERAL WARNINGS & DISPOSAL



To reduce the risk of injury, the user must read the instruction manual.



This symbol is used throughout this manual to warn the user about potential risks. Please read & understand these sections before using the device.



Personal Protective Equipment (P.P.E.), such as ear defenders, eye protection, safety gloves and a dust mask, must be worn during the operation of the device.



The device must not be exposed to rain or immersed in water.



Do not allow any part of the device to come into contact with flames, or to catch fire.



Do not expose battery pack or tool to fire or excessive temperatures above 130°C.



Do not dispose of batteries in household waste. Return exhausted batteries to a local collection or recycling point.



This product has been marked with a symbol relating to removing electric and electronic waste. The product should not be discarded with household waste but must be returned to a collection system which conforms to the European Directive 2012/19/EU. It will then be recycled or dismantled in order to reduce the impact on the environment. Electric and electronic equipment can be hazardous for the environment and for human health since they contain hazardous substances.

The month and year of manufacture can be found within the product serial number e.g. MMYPPPA XXXXX. Where production month (MM) and production year (YY) are included.



## Contents

GENERAL POWER TOOL SAFETY WARNINGS	4
1. Work area safety	4
2. Electrical safety	4
3. Personal safety	4
4. Power tool use and care	5
5. Battery tool use and care	5
6. Service	6
TOOL SPECIFIC SAFETY WARNINGS	7
Additional Safety Rules For Saw Tools	7
Kickback Causes And Related Warnings	7
Lower Guard Function	8
CHARGER SAFETY	10
COMPONENT LIST	12
TOOL TECHNICAL DATA	13
BATTERY TECHNICAL DATA	13
CHARGER TECHNICAL DATA	13
NOISE INFORMATION	13
VIBRATION INFORMATION	14
OPERATING INSTRUCTIONS	15
Intended Use	15
Battery	15
Circular Saw Assembly	16
Depth Adjustment	16
Angle Adjustment	16
Power Switch	16
Parallel Cut Adjustment	16
General Cutting	16
Pocket Cutting	17
Cutting Large Sheets	17
Maintenance	18
Transport and Storage	18
WARRANTY STATEMENT	20
Conditions	20
Terms	20
EC DECLARATION OF CONFORMITY	22



# GENERAL POWER TOOL SAFETY WARNINGS

## WARNING!

**Read all safety warnings, instructions and specifications provided with this power tool.** Failure to follow all instructions listed below may result in electric shock, fire and/or serious injury. **Save all warnings and instructions for future reference.**

The term “power tool” in the warnings refers to your mains operated (corded) power tool or battery operated (cordless) power tool.

### 1. Work area safety

- > **Keep work area clean and well lit.**  
Cluttered or dark areas invite accidents.
- > **Do not operate power tools in explosive atmospheres, such as in the presence of flammable liquids, gases or dust.** Power tools create sparks which may ignite the dust or fumes.
- > **Keep children and bystanders away while operating a power tool.** Distractions can cause you to lose control.

### 2. Electrical safety

- > **Power tool plugs must match the outlet. Never modify the plug in any way. Do not use any adapter plugs with earthed (grounded) power tools.** Unmodified plugs and matching outlets will reduce risk of electric shock.
- > **Avoid body contact with earthed or grounded surfaces, such as pipes, radiators, ranges and refrigerators.** There is an increased risk of electric shock if your body is earthed or grounded.
- > **Do not expose power tools to rain or wet conditions.** Water entering a power tool will increase the risk of electric shock.

- > **Do not abuse the cord. Never use the cord for carrying, pulling or unplugging the power tool. Keep the cord away from heat, oil, sharp edges or moving parts.**  
Damaged or entangled cords increase the risk of electric shock.
- > **When operating a power tool outdoors, use an extension cord suitable for outdoor use.** Use of a cord suitable for outdoor use reduces the risk of electric shock.
- > **If operating a power tool in a damp location is unavoidable, use a residual current device (RCD) protected supply.**  
Use of an RCD reduces the risk of electric shock.

### 3. Personal safety

- > **Stay alert, watch what you are doing and use common sense when operating a power tool. Do not use a power tool while you are tired or under the influence of drugs, alcohol or medication.** A moment of inattention while operating power tools may result in serious personal injury.
- > **Use personal protective equipment. Always wear eye protection.** Protective equipment such as a dust mask, non-skid safety shoes, hard hat or hearing protection used for appropriate conditions will reduce personal injuries.
- > **Prevent unintentional starting. Ensure the switch is in the off position before connecting to power source and/or battery pack, picking up or carrying the tool.** Carrying power tools with your finger on the switch or energising power tools that have the switch on invites accidents.

- **Remove any adjusting key or wrench before turning the power tool on.** A wrench or a key left attached to a rotating part of the power tool may result in personal injury.
  - **Do not overreach. Keep proper footing and balance at all times.** This enables better control of the power tool in unexpected situations.
  - **Dress properly. Do not wear loose clothing or jewellery. Keep your hair and clothing away from moving parts.** Loose clothes, jewellery or long hair can be caught in moving parts.
  - **If devices are provided for the connection of dust extraction and collection facilities, ensure these are connected and properly used.** Use of dust collection can reduce dust-related hazards.
  - **Do not let familiarity gained from frequent use of tools allow you to become complacent and ignore tool safety principles.** A careless action can cause severe injury within a fraction of a second.
- 4. Power tool use and care**
- **Do not force the power tool. Use the correct power tool for your application.** The correct power tool will do the job better and safer at the rate for which it was designed.
  - **Do not use the power tool if the switch does not turn it on and off.** Any power tool that cannot be controlled with the switch is dangerous and must be repaired.
  - **Disconnect the plug from the power source and/or remove the battery pack, if detachable, from the power tool before making any adjustments, changing accessories, or storing power tools.** Such preventive safety measures reduce the risk of starting the power tool accidentally.
- **Store idle power tools out of the reach of children and do not allow persons unfamiliar with the power tool or these instructions to operate the power tool.** Power tools are dangerous in the hands of untrained users.
  - **Maintain power tools and accessories. Check for misalignment or binding of moving parts, breakage of parts and any other condition that may affect the power tool's operation. If damaged, have the power tool repaired before use.** Many accidents are caused by poorly maintained power tools.
  - **Keep cutting tools sharp and clean.** Properly maintained cutting tools with sharp cutting edges are less likely to bind and are easier to control.
  - **Use the power tool, accessories and tool bits etc. in accordance with these instructions, taking into account the working conditions and the work to be performed.** Use of the power tool for operations different from those intended could result in a hazardous situation.
  - **Keep handles and grasping surfaces dry, clean and free from oil and grease.** Slippery handles and grasping surfaces do not allow for safe handling and control of the tool in unexpected situations.
- 5. Battery tool use and care**
- **Recharge only with the charger specified by the manufacturer.** A charger that is suitable for one type of battery pack may create a risk of fire when used with another battery pack.
  - **Use power tools only with specifically designated battery packs.** Use of any other battery packs may create a risk of injury and fire.



- › **When battery pack is not in use, keep it away from other metal objects, like paper clips, coins, keys, nails, screws or other small metal objects, that can make a connection from one terminal to another.**

Shorting the battery terminals together may cause burns or a fire.

- › **Under abusive conditions, liquid may be ejected from the battery; avoid contact. If contact accidentally occurs, flush with water. If liquid contacts eyes, additionally seek medical help.**

Liquid ejected from the battery may cause irritation or burns.

- › **Do not use a battery pack or tool that is damaged or modified.**

Damaged or modified batteries may exhibit unpredictable behaviour resulting in fire, explosion or risk of injury.

- › **Do not expose a battery pack or tool to fire or excessive temperature.**

Exposure to fire or temperature above 130 °C may cause explosion.

- › **Follow all charging instructions and do not charge the battery pack or tool outside the temperature range specified in the instructions.**

Charging improperly or at temperatures outside the specified range may damage the battery and increase the risk of fire.

## 6. Service

- › **Have your power tool serviced by a qualified repair person using only identical replacement parts.**

This will ensure that the safety of the power tool is maintained.

- › **Never service damaged battery packs.**

Service of battery packs should only be performed by the manufacturer or authorized service providers.

# TOOL SPECIFIC SAFETY WARNINGS

- > **Wear ear protectors.** Exposure to noise can cause hearing loss.
- > **Wear eye protection.** Wear goggles to prevent eyes from exposure to flying particles.
- > **Wear dust mask.** Take protective measures against inhalation of dust. Some materials can contain toxic materials. Also work with dust/ chip extraction when connectable.
- > **Hold the power tool by insulated gripping surfaces, when performing an operation where the cutting tool may contact hidden wiring or its own cord.** Contact with a “live” wire will also make exposed metal parts of the power tool “live” and could give the operator an electric shock.
- > **When ripping, always use a rip fence or straight edge guide.** This improves the accuracy of cut and reduces the chance of blade binding.

## Additional Safety Rules For Saw Tools

### Cutting Procedures

- > **Keep hands away from cutting area and the blade. Keep your second hand on auxiliary handle, or motor housing.** If both hands are holding the saw, they cannot be cut by the blade.
- > **Do not reach underneath the workpiece.** The guard cannot protect you from the blade below the workpiece.
- > **Adjust the cutting depth to the thickness of the workpiece.** Less than a full tooth of the blade teeth should be visible below the workpiece.
- > **Never hold the workpiece in your hands or across your leg while cutting. Secure the workpiece to a stable platform.** It is important to support the work properly to minimise body exposure, blade binding, or loss of control.
- > **Always use blades with correct size and shape (diamond versus round) of arbour holes.** Blades that do not match the mounting hardware of the saw will run off-centre, causing loss of control.
- > **Never use damaged or incorrect blade washers or bolt.** The blade washers and bolt were specially designed for your saw, for optimum performance and safety of operation.

### Kickback Causes And Related Warnings

- > Kickback is a sudden reaction to a pinched, jammed or misaligned saw blade, causing an uncontrolled saw to lift up and out of the workpiece toward the operator
- > When the blade is pinched or jammed tightly by the kerf closing down, the blade stalls and the motor reaction drives the unit rapidly back toward the operator



- › If the blade becomes twisted or misaligned in the cut, the teeth at the back edge of the blade can dig into the top surface of the wood causing the blade to climb out of the kerf and jump back toward the operator.

Kickback is the result of saw misuse and/or incorrect operating procedures or conditions and can be avoided by taking proper precautions as given below.

- › **Maintain a firm grip with both hands on the saw and position your arms to resist kickback forces. Position your body to either side of the blade, but not in line with the blade.** Kickback could cause the saw to jump backwards, but kickback forces can be controlled by the operator, if proper precautions are taken.
- › **When blade is binding, or when interrupting a cut for any reason, release the trigger and hold the saw motionless in the material until the blade comes to a complete stop. Never attempt to remove the saw from the work or pull the saw backward while the blade is in motion or kickback may occur.** Investigate and take corrective actions to eliminate the cause of blade binding.
- › **When restarting a saw in the workpiece, centre the saw blade in the kerf so that the saw teeth are not engaged into the material.** If a saw blade binds, it may walk up or kickback from the workpiece as the saw is restarted.

- › **Support large panels to minimise the risk of blade pinching and kickback.** Large panels tend to sag under their own weight. Supports must be placed under the panel on both sides, near the line of cut and near the edge of the panel.
- › **Do not use dull or damaged blades.** Unsharpened or improperly set blades produce narrow kerf causing excessive friction, blade binding and kickback.
- › **Blade depth and bevel adjusting locking levers must be tight and secure before making the cut.** If blade adjustment shifts while cutting, it may cause binding and kickback.
- › **Use extra caution when sawing into existing walls or other blind areas.** The protruding blade may cut objects that can cause kickback.

## Lower Guard Function

- › **Check the lower guard for proper closing before each use. Do not operate the saw if the lower guard does not move freely and close instantly. Never clamp or tie the lower guard into the open position. If the saw is accidentally dropped, the lower guard may be bent.** Raise the lower guard with the retracting handle and make sure it moves freely and does not touch the blade or any other part, in all angles and depths of cut.



- › **Check the operation of the lower guard spring. If the guard and the spring are not operating properly, they must be serviced before use.**

Lower guard may operate sluggishly due to damaged parts, gummy deposits, or a build-up of debris.

- › **The lower guard may be retracted manually only for special cuts such as “plunge cuts” and “compound cuts”. Raise the lower guard by the retracting handle and as soon as the blade enters the material, the lower guard must be released.**

For all other sawing, the lower guard should operate automatically.

- › **Always observe that the lower guard is covering the blade before placing the saw down on bench or floor.**

An unprotected, coasting blade will cause the saw to walk backwards, cutting whatever is in its path. Be aware of the time it takes for the blade to stop after switch is released.



# CHARGER SAFETY

## **WARNING!**

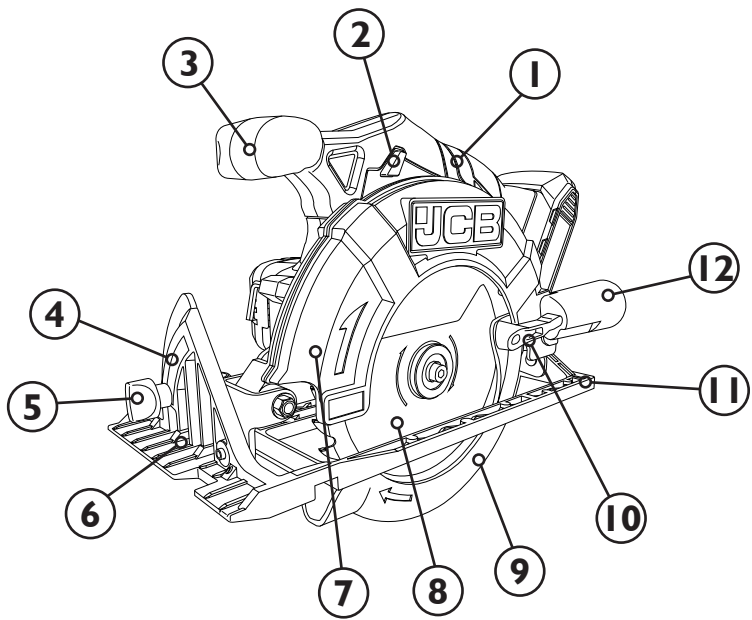
**Read all safety warnings, instructions and specifications provided with the charger.** Failure to follow all instructions listed below may result in electric shock, fire and/or serious injury. **Save all warnings and instructions for future reference.**

- **To reduce risk of injury, only charge JCB rechargeable batteries.** The charger and battery packs are specifically designed to work together. Other types of batteries may burst causing fire and personal injury.
- **Do not allow any liquid to get inside the charger.** Electric shock may result.
- **Do not expose the charger to rain or snow.**
- **Under certain conditions with the charger plugged into the power supply, the exposed charging contacts inside the charger can be shorted by foreign materials.** Foreign materials of a conductive nature such as, but not limited to, steel, wool, aluminium foil or any buildup of metallic particles should be kept away from charger cavities.
- **Always unplug the charger from the power supply when there is no battery in the cavity.**
- **Unplug the charger from the power supply before attempting to clean.**
- **Do not operate the charger with a damaged cord or plug.** Have them replaced immediately.
- **The charger is designed to operate on standard 230V household electrical power. Do not attempt to use it on any other voltage.**
- **This appliance can be used by children aged from 8 years and above and persons with reduced physical, sensory or mental capabilities or lack of experience and knowledge if they have been given supervision or instruction concerning use of the appliance in a safe way and understand the hazards involved.**  
Children shall not play with the appliance. Cleaning and user maintenance shall not be made by children without supervision.
- **If the supply cord is damaged, it must be replaced by the manufacturer, its service agent or similarly qualified persons in order to avoid a hazard.**

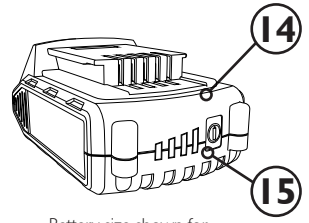
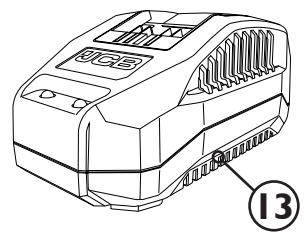




# COMPONENT LIST



1. HAND GRIP AREA
2. ON/ OFF SWITCH
3. AUXILLARY HANDLE
4. BEVEL SCALE
5. PARALLEL GUIDE LOCKING SCREW
6. BEVEL LOCK BUTTON
7. FIXED GUARD
8. SAW BLADE
9. LOWER BLADE GUARD
10. LOWER GUARD LEVER
11. BASE PLATE
12. DUST TUBE
13. CHARGER\*
14. BATTERY PACK\* - PLEASE REFER TO TABLE ON PAGE 13 FOR BATTERY INFORMATION
15. BATTERY TEST BUTTON AND CHARGE INDICATOR\*



Battery size shown for illustrative purposes only

\*If applicable

## TECHNICAL DATA

<b>Power</b>		18V DC (From Attached Battery)
<b>No Load Speed</b>		3650 rpm
<b>Saw Blade Diameter</b>		165mm
<b>Max. Cutting Depth</b>	<b>90°</b>	55mm
	<b>45°</b>	35mm
<b>Product Weight</b>		2.9 kg

## LITHIUM ION BATTERY TECHNICAL DATA

<b>Battery Code</b>	<b>Battery Size</b>	<b>Voltage</b>	<b>Battery Capacity</b>	<b>Charge Time</b> (Fast Charger: JCB-18VFC)	<b>Charge Time</b> (Super Fast Charger: JCB-18SFC)
JCB-20LI	Small	18V	2.0Ah	50 mins	30 mins
JCB-30LI	Large	18V	3.0Ah	80 mins	45 mins
JCB-40LI	Large	18V	4.0Ah	100 mins	60 mins
JCB-50LI	Large	18V	5.0Ah	120 mins	75 mins

Times given as a guide only. Battery charge and discharge times dependant on age, usage and condition.

## CHARGER TECHNICAL DATA

<b>Charger Code</b>	<b>Input Power</b>	<b>Output</b>
JCB-18VFC	220 - 240V ~ 50-60Hz 70W	2.4A
JCB-18SFC	220 - 240V ~ 50-60Hz 105W	4.0A

## NOISE INFORMATION

<b>A-Weighted Sound Pressure (LpA)</b>	81.47 dB(A)
<b>A-Weighted Sound Power (LwA)</b>	81.47 dB(A)
<b>K<sub>PA</sub> &amp; K<sub>WA</sub></b>	3 dB(A)
<b>Wear ear protection when sound pressure is over 80 dB(A)</b>	



# VIBRATION INFORMATION

**Vibration total values (triax vector sum) determined according to EN 60745**

<b>Cutting wood</b>	<b>Main Handle</b>	1.264 dB(A)
	<b>Auxillary Handle</b>	2.156 dB(A)
<b>Uncertainty (K)</b>		1.5 ms <sup>-2</sup>

## **WARNING!**

The vibration emission value of the power tool is tested under EN 60745-1 and EN 60745-2-5, and can vary during operation depending on the following usage conditions:

- How the tool is used and the materials being cut or drilled.
- The tool being in good condition and well maintained.
- Using the correct accessory for the tool and ensuring it is sharp and in good condition.
- The tightness of the grip on the handles and if any anti-vibration accessories are used.
- The tool being used as intended by its design and these instructions.
- The declared vibration total value may also be used in a preliminary assessment of exposure.

**THIS TOOL MAY CAUSE HAND-ARM VIBRATION SYNDROME IF USAGE IS NOT ADEQUATELY MANAGED.**

## **WARNING!**

To be accurate, an estimation of exposure level in the actual conditions of use should also take account of all parts of the operating cycle. These include times when the tool is switched off and when it is running idle but not actually doing work. This may significantly reduce the total exposure level over the working period, helping to minimize your vibration exposure risk.

- ALWAYS use sharp and undamaged bits, chisels, drills and blades.
- Maintain this tool in accordance with these instructions and keep well lubricated (where appropriate).
- If the tool is to be used regularly then invest in anti-vibration accessories.
- Avoid using tools in temperatures of 10°C or less.
- Plan your work schedule to spread any high vibration tool use across a number of days.

# OPERATING INSTRUCTIONS

## Intended Use

This circular saw is intended for fully supported cross and rip cuts and bevel sawing of hard and soft woods and board/sheet materials. It can also be used for plunge cutting.

The tool must not be modified or used for any other purposes than the ones described in these instructions.

## Battery

### NOTE

Make sure the power switch is not pressed in when inserting or replacing the battery.

- **Do not force the battery when connecting it, use moderate pressure.**  
An incorrectly connected battery can damage the battery terminals or the battery socket on the tool.
- Use the button on the battery to check the charging status; 4 red LEDs indicates fully charged, where 1 indicates low battery status.

## Charging The Battery



### WARNING!

After charging for the first time, ensure the battery is completely discharged before placing on charge again. Repeat this charging and discharging cycle 4 to 5 times to ensure battery is correctly conditioned.

- Place the battery charger on a level and stable surface. Plug the charger into a 230 V power point.

- Connect the battery to the charger so that it clicks into place.
- Refer to the Battery Charge Level table below for battery charger status as indicated by LED lights.
- Unplug the charger from the power point and remove the battery from the charger.

## Battery Charge Level

Red LED	Green LED	Battery Charge Status
		Charger is connected to mains power
		Connected battery is charging
		Connected battery is fully charged
		Connected battery has a charging fault
		Charger is outside correct operating temperature range (<0°C / >40°C)

If the LEDs on the charger do not come on when charging:

- Check that the charger's mains adaptor is properly plugged into the power point and that the charger is switched on
- Check that the battery is correctly inserted in the charger

## Connecting the battery

- Connect the battery to the battery socket on the tool so that it clicks into place.

## Removing the battery

- Press the battery release button and remove the battery from the tool.



## Circular Saw Assembly

### **WARNING!**

Prior to any assembly and adjustment always disconnect the tool from the power supply.

- › Place this circular saw on its side on a flat surface. Bring the base plate down to the minimum depth cut as it's easier to change the blade.
- › Press the spindle lock and carefully turn the blade until the spindle lock engages.
- › Unscrew the blade screw with a spanner.
- › Remove the blade screw, any washers and blade flange.
- › Loosen the lower guard lock lever, move the bottom cover to one side.
- › Change to an appropriate blade. Fit the blade with the direction marking on the blade in the same direction as the direction indicator.
- › Refit the blade flange, any washers and the blade screw.
- › Press in the spindle lock and tighten the blade screw with a spanner.

## Depth Adjustment

- › Loosen the depth adjustment lock knob.
- › Adjust the bottom plate to the required depth according to the depth scale, or measure with a ruler.
- › Tighten the lock knob.

## Angle Adjustment

- › Loosen the Lock knob for angle adjustment.

- › Adjust the shoe to the desired angle between 0° to 45°. [See miter scale].
- › Tighten the lock knob for angle adjustment.

## Power Switch

### **WARNING!**

Before engaging the ON/OFF switch, check that the saw blade is properly fitted and runs smoothly and that the blade clamp bolt is well tightened.

- › To switch on the circular saw, press the lock-off button and pull the ON/OFF switch trigger.
- › When you release the switch trigger the tool turns off.

## Parallel Cut Adjustment

- › Loosen the lock knob of edge guide.
- › Slide the parallel guide through the slots in the shoe to the desired width.
- › Tighten the lock bolt to fit it in the position.
- › Ensure that the edge guide rests against the wood along its entire length to give a consistent parallel cuts.

## General Cutting

- › When starting, always hold the saw handle with one hand and the auxiliary handle with the other hand.
- › Never force the saw but maintain a light and continuous pressure after completing the cut allow the saw to come to a complete stop.
- › When cutting is interrupted, resume cutting by allowing the blade to reach full speed and then reentering the cut slowly.



- When cutting across the grain, the fibers of the wood have a tendency to lift and tear, moving the saw slowly minimizes this effect.

## Pocket Cutting

- Disconnect the tool from the power supply before making any adjustments. Set the depth adjustment based on the thickness of the line drawing for the cut. Raise the lower guard by using the lift lever.
  - With the blade barely above the material to be cut, start the saw and allow the blade to come to full speed. Gradually lower the blade into the material to be cut using the front end of the shoe as a pivot point.
  - When the blade starts cutting, release the lower guard.
  - When the shoe is resting flat on the surface being cut, proceed cutting in a forward direction to the end of the cut.
  - Allow the blade to come to a full stop before removing it from the cut.
- Support the panel or board close to the cut. Be sure to set the blade adjustment so that you can cut through the material without cutting into the table or workbench. Suggestion: use two by fours to support the board or panel to be cut. If the piece is too large for the workbench, use the floor with the two-by fours supporting the wood.
  - Use only 165mm saw blades which conforms to EN 847-1, wood cutting only.



### **WARNING!**

Never pull the saw backward since the blade will climb out of the cut and kickback will occur.

- Turn the saw around and finish the cut in a normal manner, sawing forward. Use a jigsaw or a hand saw to finish the cut in the corners, if required.

## Cutting Large Sheets

- Large sheet or boards require support to prevent bends or sags. If you attempt to cut without leveling and properly supporting the work piece, the blade will tend to bind, causing kickback.



## Maintenance

### **WARNING!**

Switch off the tool and disconnect the power (remove battery/unplug) before cleaning and maintenance. This helps avoid the risk of electric shocks and accidental starting.

- Wipe the tool with a dry or damp cloth.  
**Do not use a wet cloth. Do not use detergent that contains solvent or corrosive, abrasive additives.** This risks damaging the surfaces of the tool.
- Clear the tool vents and the accessory mount of dust and dirt after each use.  
**Do not clean ventilation holes by inserting sharp objects in them, such as screwdrivers and other similar objects.**
- Stubborn contamination in areas hard to access can be removed with compressed air (max 3. bar).
- Regularly check all fasteners, screws and bolts to make sure that they are tight. Tighten any loose screws immediately or serious injury could occur.

### **WARNING!**

Never open the tool. The tool has no internal parts that the user can service or repair. Never try to repair the tool yourself. Take to an authorised service centre.

## Transport and Storage

- If the tool will remain unused for any length of time, it should be stored in the original packaging.
- Store the tool in a dry, frost-free, well ventilated place with a temperature of no more than 40°C.

- Keep all tools out of the reach of children.
- Always switch off the tool and disconnect it from the power supply (remove the battery/unplug the power cord) before transport.
- Always carry the tool using the purpose-designed handle.
- Ensure that the tool is not at risk of tipping over or exposed to excessive vibration and shocks during transport, especially if the tool will be transported by car or other vehicle.



# WARRANTY STATEMENT

**JCB Power Tools are guaranteed against manufacturing defects for up to 5 years (extra charges may apply) from date of purchase by simply registering your product online within 30 days. Proof of purchase required. This does not affect your statutory rights.**

**To register your JCB Power Tool, please visit: [jcb-tools.com](http://jcb-tools.com)**

Online registration is required to receive a warranty certificate to activate your standard 3 year warranty. You will be given the option to extend to a 5 Year Warranty (extra charges may apply). Registration is only available online via [www.jcb-tools.com](http://www.jcb-tools.com). You will need your original sales receipt, the model number and the serial number (if applicable) of your product. Kits comprising of two or more tools are excluded from single registration and must be registered individually for full warranty cover.

Upon successful registration, a warranty certificate will be available to download, print or save as a PDF document. The relevant warranty certificate together with the original sales receipt will be required in the event of any claim within the warranty period..

Should you choose not to register your product within 30 days of purchase, your statutory consumer rights will not be affected. You will need the original sales receipt as proof of purchase in the event of a warranty claim.

Warranty cover commences from the date of purchase on the retail sales receipt and is valid only for JCB Tools products purchased within the UK bearing the CE mark and a visible serial number.

In the unlikely event your JCB Power Tool is subject to a manufacturing fault within the warranty period, JCB Tools may repair the product by replacing defective parts free of charge at our discretion. In the event parts are irreplaceable JCB Tools may replace your product free of charge. The original product will remain the property of JCB Tools in this situation.

**The above repair or replacement of products will be undertaken providing that:**

- The product has been subject to fair wear and tear only.
- The product has not been subject to accidental or cosmetic damage.

- The product has not been misused and has been used only in accordance with the instruction manual provided.
- The product has not been subject to overload or insufficient servicing and maintenance.
- The product has not been subject to any abnormal environmental conditions or inappropriate operating conditions.
- Repairs have not been attempted by an unauthorised person and no modifications have been made to the product.
- Repairs have not been undertaken using non-genuine spare parts.

JCB Power Tools used for Hire Fleets or as part of B2B and Service Contracts are not covered by these terms and conditions.

**JCB Tools standard 3 Year and extended 5 Year Warranties excludes the following (where relevant):**

- Components normally subject to wear such as carbon brushes.
- Batteries, Chucks and Chargers.
- Accessories and consumable items.
- Cases and tool storage products.

If your product develops a fault within 30 days of purchase, return it to the retailer where it was purchased together with your sales receipt. If a product develops a fault after 30 days a warranty claim must be submitted.

If you have a warranty claim please take your product, original sales receipt and if applicable, a copy of your extended warranty certificate to your place of purchase or nearest JCB Tools retailer.

If you wish to send your product to us directly, please call us on 03308380257 to arrange warranty claim or repair. Delivery and repair charges may apply at our discretion should the warranty claim be invalid for any of the reasons illustrated above. In the event charges are not accepted the product will be retained by JCB Tools and remain the property of JCB Tools.

The information on both your sales receipt and your extended warranty certificate must match.

JCB TOOLS WILL NOT BE LIABLE FOR ANY INJURIES OR CONSEQUENTIAL DAMAGES RESULTING FROM USE OF THIS PRODUCT.



# EC DECLARATION OF CONFORMITY

**We,**  
JCB Tools

**Declare that the product:**

*Description*

18V Lithium-Ion Circular Saw

*Type*

JCB-18CS

*Function*

Cross and Rip Cuts and Bevel Sawing

**Complies with the following Directives;**

EC Machinery Directive

**2006/42/EC**

EC Electromagnetic Compatibility Directive

**2014/30/EU**

RoHS Directive

**2011/65/EU**

Standards conform to

**EN 55014-1:2006+A1+A2**

**EN 55014-2:2015**

**EN55014-1:2017**

**EN 60745-1:2009+A11**

**EN 60745-2-5:2010**

**The person authorized to compile the technical file:**

Date: 16/10/2018

Signature:



Name/ title: Mya Yee Lwin / Quality Assurance Manager

Address: JCB Tools, 55 Romsey Industrial Estate, Romsey, SO51 0HR, UK.

Company REG: 11062222

